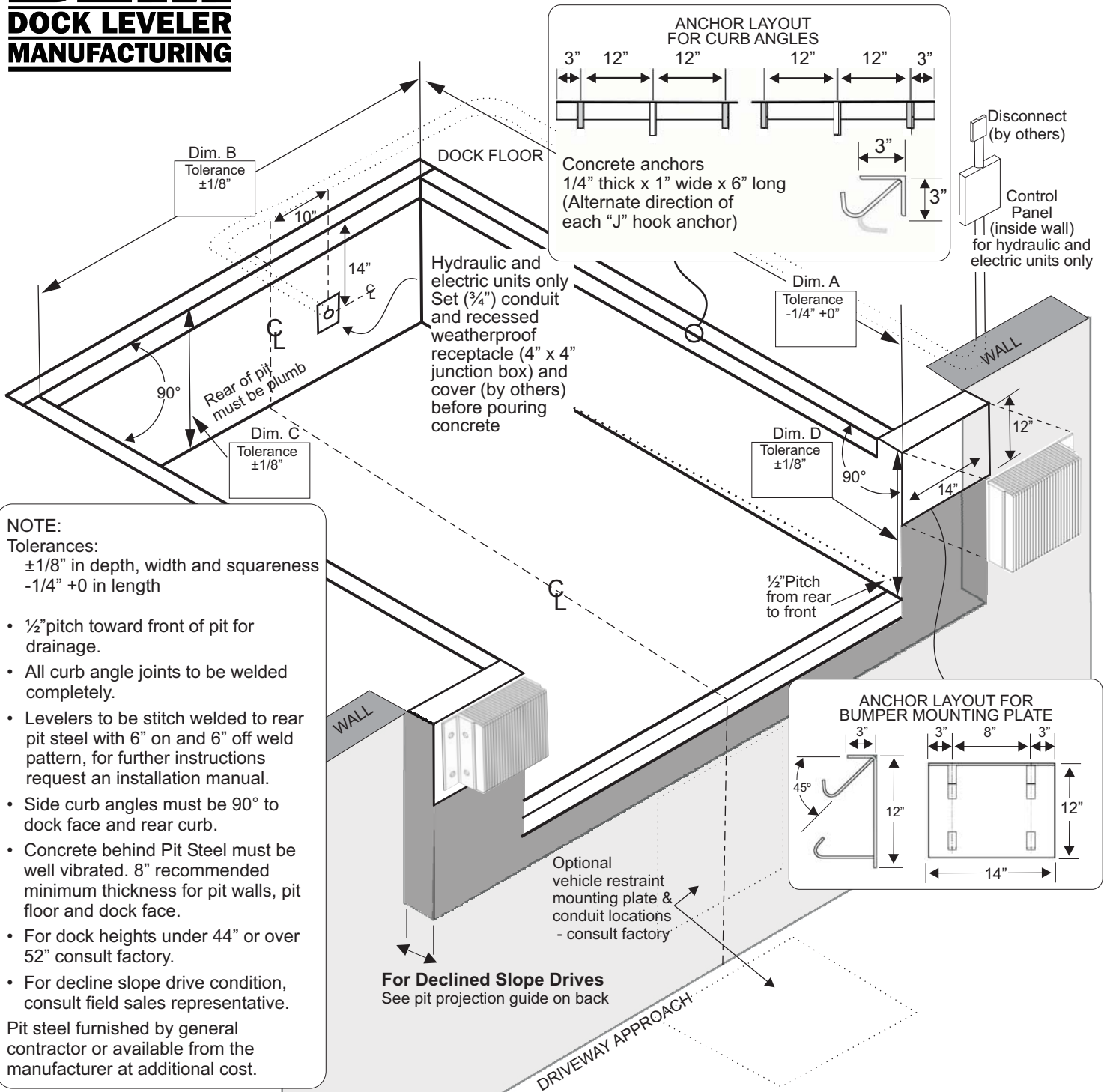




# PIT DETAIL FOR DM and LMD SERIES MECHANICAL DH and LHD SERIES HYDRAULIC AND DA SERIES AIR POWERED DOCK LEVELERS



Customer: \_\_\_\_\_  
 Job: \_\_\_\_\_  
 Location: \_\_\_\_\_  
 Qty: \_\_\_\_\_  
 Model/Size: \_\_\_\_\_  
 Capacity: \_\_\_\_\_  
 Represented By: \_\_\_\_\_  
 Sales Representative: \_\_\_\_\_

**Certified For Construction:**  
 By: \_\_\_\_\_  
 Date: \_\_\_\_\_  
 Company: \_\_\_\_\_  
 City & State: \_\_\_\_\_  
 Voltage/Phase: \_\_\_\_\_  
 Drawing #: \_\_\_\_\_

Pit dimensional tolerances are  $\pm 1/8$ " in depth, width and squareness,  $-1/4$ "  $+0$  in length.  
 DLM/Systems, LLC assume no liability for deviations beyond this tolerance.

Dimensions below are for all DM and LMD Series Mechanical, DH and LHD Series Hydraulic, and the DA Series Air Powered, pit type levelers, all capacities, except 60K industry rated capacity levelers and higher - Dim. "C" 23 1/2 Dim. "D" 24"								
Leveler Size	Contractors Bill Of Material				Nominal Pit Dimensions			
	Curb Angles 1/4" x 3" x 3"			Bumper Plates	Dim. "A" Length	Dim. "B" Width	Dim. "C" Depth (rear)	Dim. "D" Depth (front)
	Front (Qty 1)	Rear (Qty 1)	Side (Qty 2)	1/4" Thick (Qty 2)				
6' x 6'	74"	80"	60"	3" x 12" x 14"	63"	74"	19 1/2"	20"
6.5' x 6'	80"	86"	60"	3" x 12" x 14"	63"	80"	19 1/2"	20"
7' x 6'	85"	91"	60"	3" x 12" x 14"	63"	85"	19 1/2"	20"
6' x 8'	74"	80"	84"	3" x 12" x 14"	87"	74"	19 1/2"	20"
6.5' x 8'	80"	86"	84"	3" x 12" x 14"	87"	80"	19 1/2"	20"
7' x 8'	85"	91"	84"	3" x 12" x 14"	87"	85"	19 1/2"	20"
6' x 10'	74"	80"	108"	3" x 12" x 14"	111"	74"	23 1/2"	24"
6.5' x 10'	80"	86"	108"	3" x 12" x 14"	111"	80"	23 1/2"	24"
7' x 10'	85"	91"	108"	3" x 12" x 14"	111"	85"	23 1/2"	24"
6' x 12'	74"	80"	132"	3" x 12" x 14"	135"	74"	23 1/2"	24"
6.5' x 12'	80"	86"	132"	3" x 12" x 14"	135"	80"	23 1/2"	24"
7' x 12'	85"	91"	132"	3" x 12" x 14"	135"	85"	23 1/2"	24"

**Optional Bumper Plates - in lieu of above**

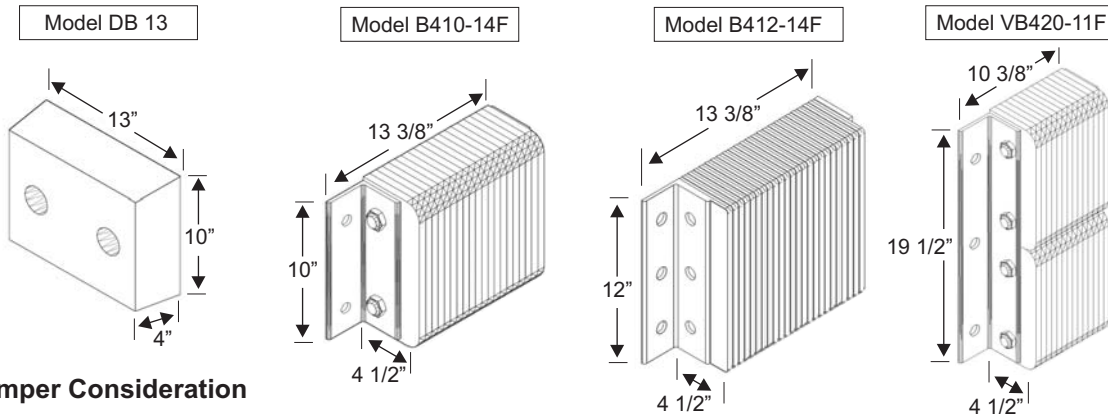
- 11" wide x 20" high (Qty 2)
- 11" wide x 24" high (Qty 2)
- Other Bumper Embed \_\_\_\_\_ (Qty 2)

**Pit Projection Guide for Decline Slope Driveways**

Percentage Of Grade = $\frac{\text{Rise of Driveway}}{\text{Driveway Length}}$	% of Driveway Grade	0%	1%	2%	3%	4%	5%	6%	7%	8%	9%	10%
	Pit Projection	0"	3"	4"	5"	6"	7"	8"	9"	10"	11"	12"
	*Excludes Bumper Projection											

**NOTE:** Projection of pit may require modifications to seals and shelters. Coordinate with supplier if required.

**Bumper Layout**



**Bumper Consideration**

- 2 Model DB 13 Molded bumpers **Standard on LMD (mechanical) and LHD (hydraulic) Series Levelers**
  - 2 Model B410-14F laminated bumpers **Standard on DM (mechanical) DH (hydraulic) DA (air powered) Series Levelers**
  - 2 Model B412-14F laminated bumpers
  - 2 Model VB420-11F laminated bumpers
  - Other Bumper: \_\_\_\_\_
- Optional - 6" Projection  
 Optional - Steel face

A continuing Product improvement process is in effect at Systems, LLC. We reserve the right to make product changes without prior notice.